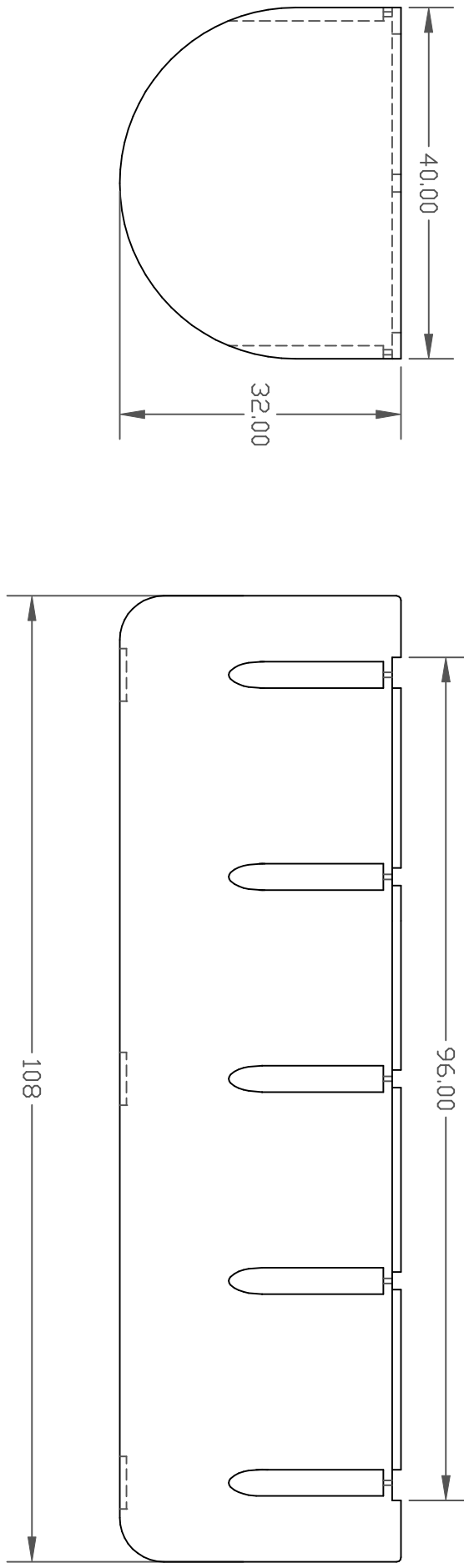
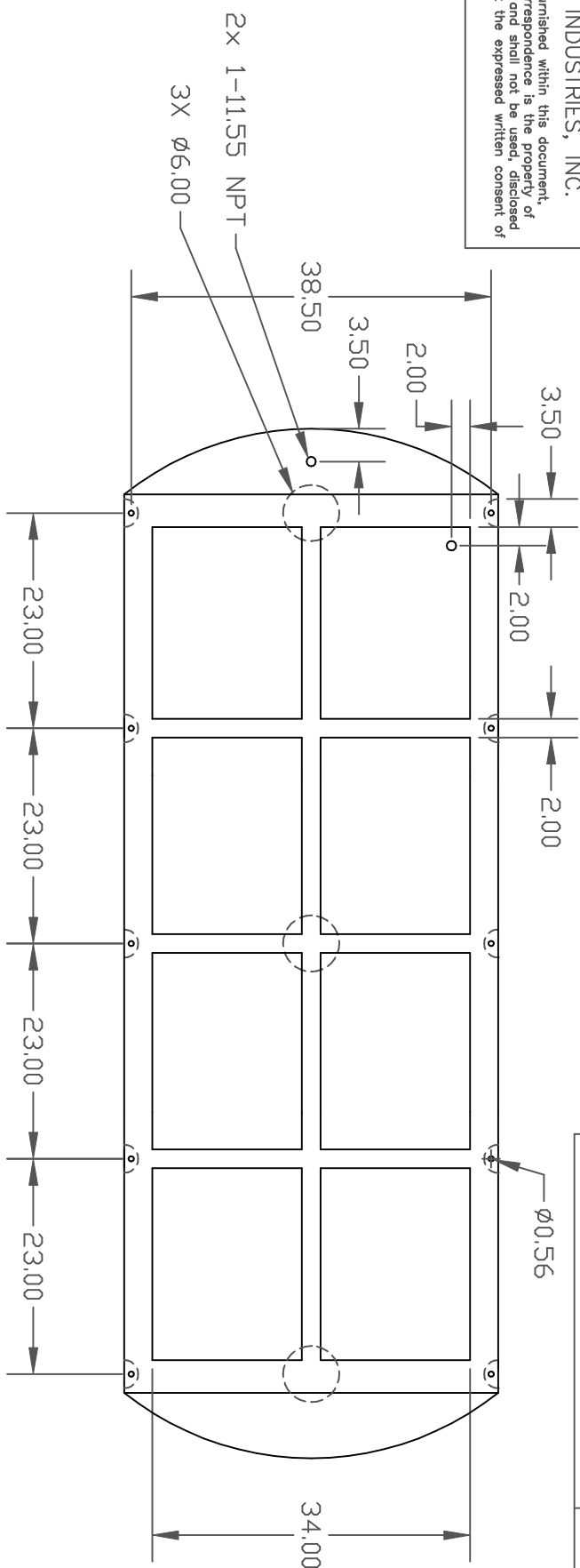


© DEN HARTOG INDUSTRIES, INC.

Copyright. All information furnished within this document, electronic file or design correspondence is the property of Den Hartog Industries, Inc. and shall not be used, disclosed to others or copied without the expressed written consent of Den Hartog Industries, Inc.

DWG. NO. AT3240-108

SH REV A



DRAWN DHJ		DATE 11-10-95		MATERIAL BLACK POLYETHYLENE	
APPROVED		DATE		PART WEIGHT 200 LBS. BUDYANCY 3700 LBS.	
THIRD ANGLE PROJECTION		DATE		PART NO. AT3240-108	
REV A		DESCRIPTION UPDATE PRINT		SIZE A	
SCALE NONE		DATE 7/18/06		DWG. NO. AT3240-108	
APVD		DATE		REV A	
UDS DIMENSIONS ARE IN INCHES GENERAL TOLERANCES ± 1% @ 68 ° F					

ACE ROTO-MOLD