

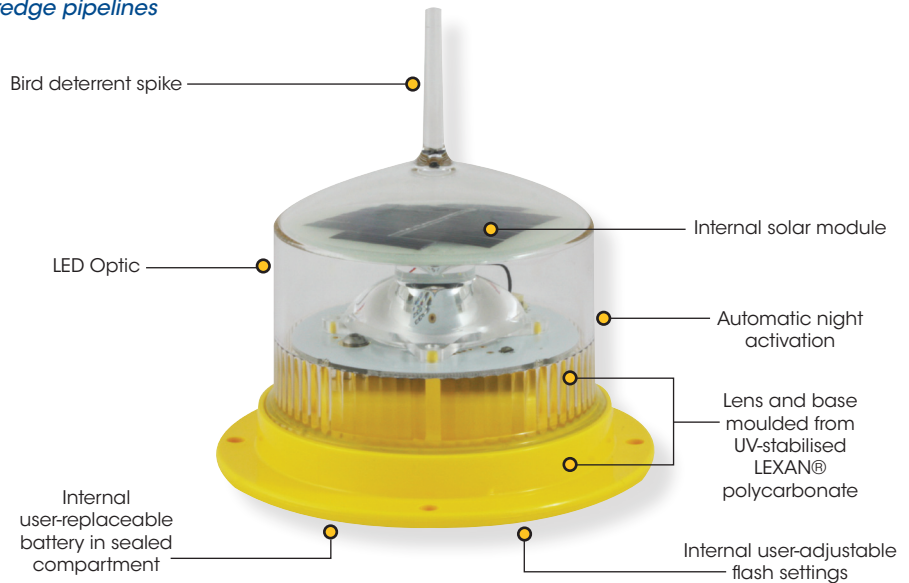
1-2NM+ Solar Marine Lantern

SL-15

The equipment complies with requirements of the U.S Coast Guard in 33 CFR part 66 for private aid to navigation and 33 CFR part 88.15 for lights on dredge pipelines



Distributed by:



The Sealite Advantage

- User-adjustable flash characters
- User-replaceable battery in sealed battery compartment
- NiMH battery for long service life & wide temperature range
- Completely sealed & self-contained using advanced UV-sealing
- Installs in minutes & operates maintenance-free for up to five years
- IP68 waterproof

The Sealite SL-15 1-2NM+ compact LED light is exceptional value and incorporates some of the most advanced technology available. In the tradition of Sealite lanterns, the SL-15 is designed to be maintenance-free and have a service life of over 5 years.

The SL-15 can be installed in minutes and requires no operator intervention. The SL-15 has a rotary switch to allow users to change the flash character of the light without the need for special tools or programmers.

During daylight hours the solar module will charge the battery, and the lantern will automatically begin operation at dusk - once the ambient light threshold drops sufficiently.

The SL-15 features Sealite's Single LED Optic which boasts exceptional power to light output efficiency. The tough outer polycarbonate lens incorporates an environment-friendly spike - deterring unwelcome bird life.

The internally housed battery is user-replaceable after years of reliable service.

The unit is sealed using advanced UV-sealing, enabling a rugged and complete waterproof seal capable of prolonged and deep immersion (IP68).

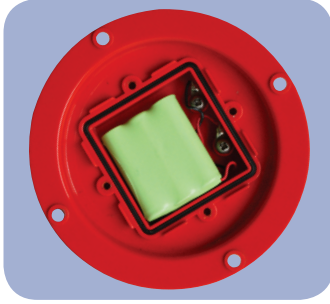
Optional ON/OFF Switch

The SL-15 is also available with an optional ON/OFF switch for temporary installations such as worksites. Please note the printed circuit board also has an ON/OFF switch as standard. This is used for switching off lanterns placed in storage.



1-2NM+ Solar Marine Lantern

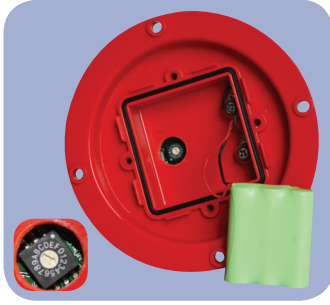
SL-15



User-replaceable battery



SL-15 with optional ON/OFF switch

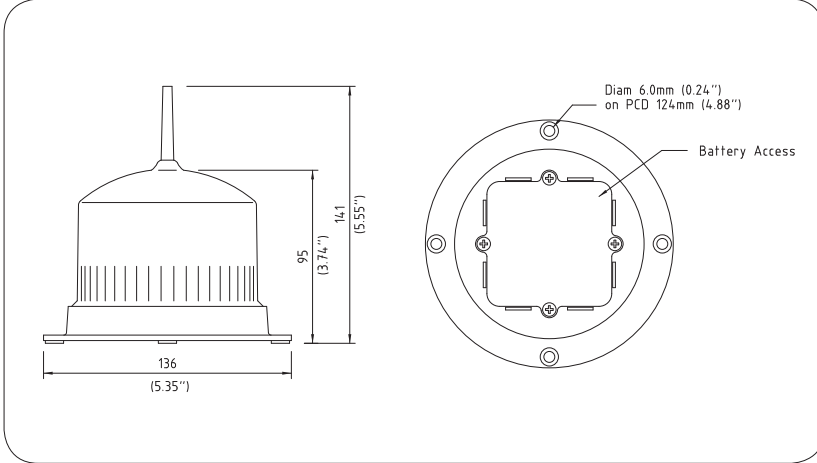


Flash characteristic is selected via internal rotary switch located in the battery compartment

User-Adjustable IALA Flash Characteristics

FLASH SETTING CODE	Flash Sequence (on, off, on...)
0	STEADY LIGHT (intensity reduced)
1	0.5, 1.0
2	0.5, 3.5
3	1.0, 3.0
4	0.5, 5.5
5	0.3, 0.7
6	0.3, 0.7, 0.3, 0.7, 0.3, 0.7, 0.3, 15.7
7	0.3, 1.7
8	0.3, 2.2
9	0.5, 2.0
A	0.3, 2.7
B	0.5, 2.5
C	0.7, 2.3
D	0.5, 4.5
E	1.0, 4.0
F	Custom Setting

Other flash patterns are available on request



SPECIFICATIONS * SL-15

Light Characteristics

Light Source
Available Colours
Typical Maximum Intensity (cd) †
Visible Range (NM)

LED
Red, Green, White, Yellow, Blue
Red - 6.2 Green - 7.6 White - 6.8 Yellow - 5.9
AT @ 0.74: 1-2+
AT @ 0.85: 1.1-2.3+

Horizontal Output (degrees)
Vertical Divergence (degrees)
Reflector Type
Available Flash Characteristics

360
7
Single LED Optic
16 user-adjustable IALA flash characteristics (other flash patterns available on request)
32 automatic step-down settings based on power demand of flash code selection
>100,000

Intensity Adjustments

LED Life Expectancy (hours)

Electrical Characteristics

Current Draw (mA)
Circuit Protection
Nominal Voltage (V)
Autonomy (days)
Temperature Range

Refer to Sealite Power Calculator
Integrated
3.6
>50 (14 hour darkness, 12.5% duty cycle)
-40 to 80°C

Solar Characteristics

Solar Module Type
Output (watts)

Multicrystalline
0.45

Power Supply

Battery Type
Battery Capacity (Ah)
Nominal Voltage (V)

High grade NiMH
2.4
3.6

Physical Characteristics

Body Material
Lens Material
Lens Diameter (mm/inches)
Lens Design
Mounting
Height (mm/inches)
Width (mm/inches)
Mass (kg/lbs)
Product Life Expectancy

LEXAN® Polycarbonate - UV-stabilised
LEXAN® Polycarbonate - UV-stabilised
98 / 3 7/8
Single LED Optic
4 x 6mm mounting holes
141 / 5 1/2
136 / 5 3/8
0.5 / 1 1/8
Up to 12 years ^

Certifications

CE
IALA
Quality Assurance
Waterproof

EN61000-6-1:2007, EN61000-6-3:2007
Signal colours compliant to IALA E-200-1
ISO 9001:2015
IP68

Intellectual Property

Patents
Trademarks

US Pat. No. 6,667,582, AU Pat. No. 778,918
SEALITE® is a registered trademark of Sealite Pty Ltd
3 years

Warranty *

Options Available

- ON/OFF switch
- Custom flash patterns
- 50mm pole mount adapter plate
- IR Remote Programmer



* Specifications subject to change or variation without notice
* Subject to standard terms and conditions
† Intensity setting subject to solar availability
^ Refer to the Sealite website under the warranty section



Sealite USA LLC
t: +1 (603) 737 1311
info@sealiteusa.com

Distributed by Scottco Marine
Email: info@scottcomarine.com
Tel: 800 932 9414

