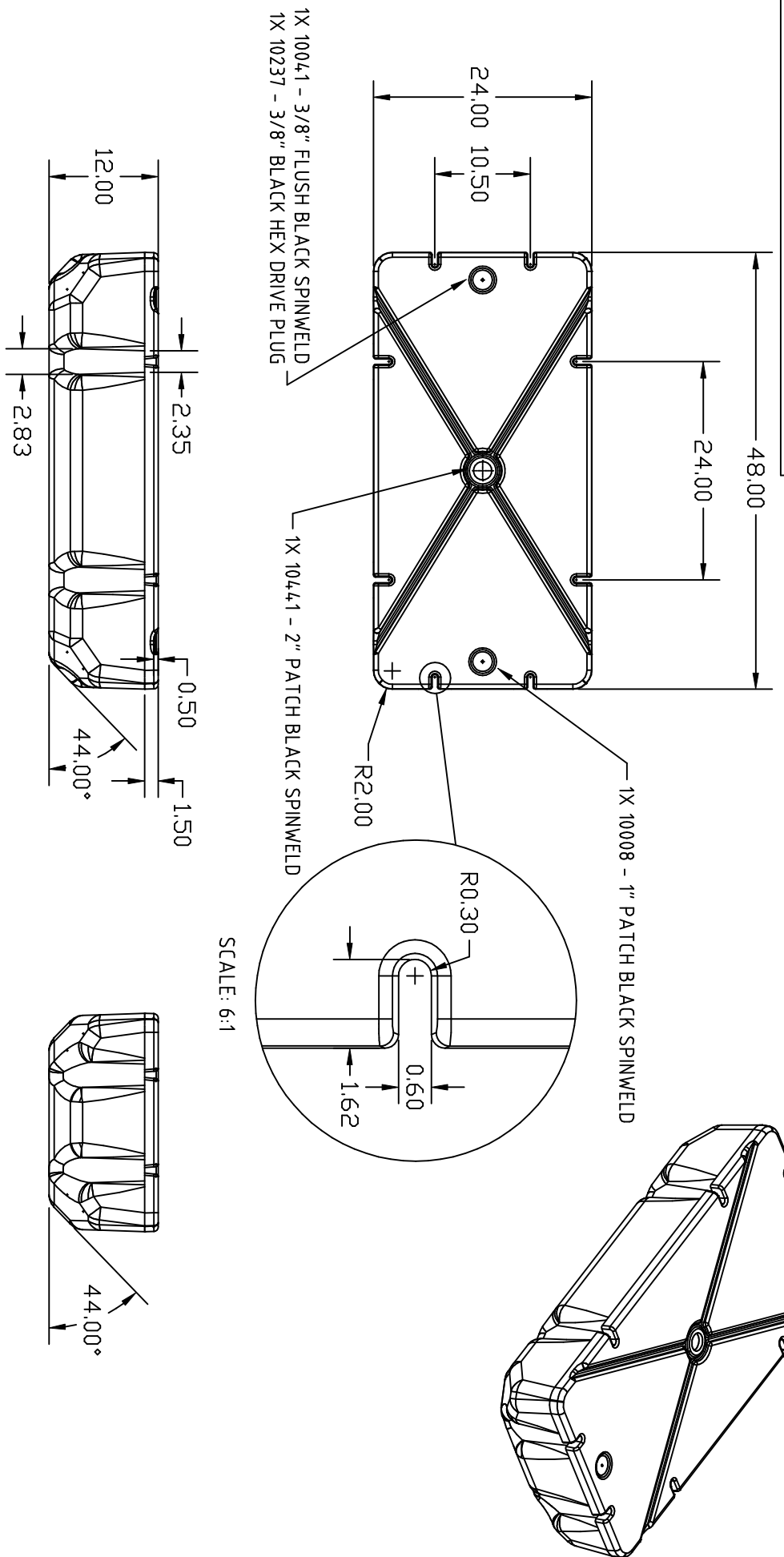


PROPRIETARY DATA

PROPERTY OF ACE ROTO-HOLD MFG., INC. INFORMATION FURNISHED HEREIN IS THE PROPERTY OF ACE ROTO-HOLD MFG., INC. AND SHALL NOT BE USED, DISCLOSED TO OTHERS, OR COPIED WITHOUT THE EXPRESSED WRITTEN CONSENT OF ACE ROTO-HOLD MFG., INC. ALL RIGHTS RESERVED.

FFBM-2448-12



SCALE: 6:1

REV	DESCRIPTION	DATE	APPRD	DRAWN / DATE	MATERIAL
				NVE 7/19/05	#80001 B/M PELLET
				REH/7/26/05	

THIRD ANGLE PROJECTION  
ANSI 14.5M

ALL DIMENSIONS ARE IN DECIMAL INCHES  
TOLERANCES UNLESS OTHERWISE SPECIFIED  
± 1% @ 68° F

NOTES:  
1. NOM. WALL @ .150  
2. SHOT WEIGHT 22 LBS.  
3. BLACK COLOR



**ACE ROTO-MOLD**  
A DIVISION OF DEN HARTOG INDUSTRIES, INC.  
4018 HWY. 60 BLVD., BOX 421, HOSPERS, IOWA 51238

CLIENT / DESCRIPTION  
12 INCH HIGH FLOAT  
FOAM FILLED

SCALE  
N.S.

PART NO.  
FFBM2448-12